

Monterey Potting Center

OVERVIEW



Introduction

Whether you are displaying prize bonsai or planting new impatiens, this free-standing redwood potting center creates a peaceful sanctuary and will give years of service. Construction Common, Deck Common, Merchantable Heart and Merchantable are knotty garden grades of redwood and offer a colorful mix of sapwood and heartwood. Wherever increased decay resistance is needed, use the all-heartwood grades: Construction Heart, Deck Heart or Merchantable Heart.

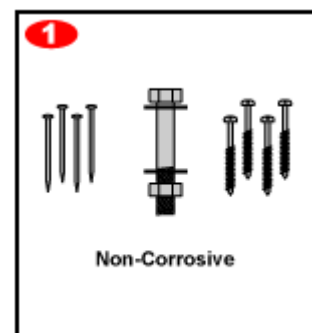
BEFORE YOU START...

SKILL LEVEL & TIME TO COMPLETE

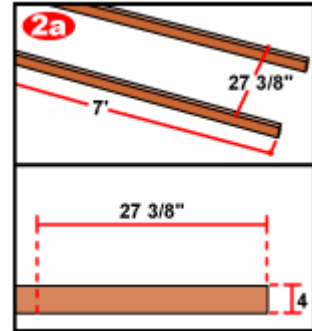
- Beginner - 1 to 2 days
- Intermediate - 5 to 8 hours
- Advanced - 3 to 6 hours

STEPS

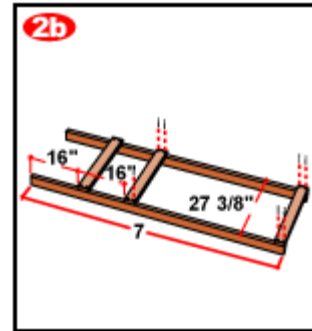
1. The Potting Center is a great do-it-yourself project that is constructed in simple sections and easily fastened with carriage bolts, nuts and washers for easy setup or take down. As you begin assembling the potting center it is best to make sure you measure and cut as you build for best results. Also, it is important to use non-corrosive nails, bolts, and screws to prevent staining, and to pre-drill nail holes to minimize splitting near board ends.



2. a To begin assembling the Potting Center you will start with the Leg Module. On a level surface lay out two seven foot 2 x 4s on edge to start the first leg module. Trim three 2 x 4s to 27 3/8 inches for one leg brace and two shelf supports.



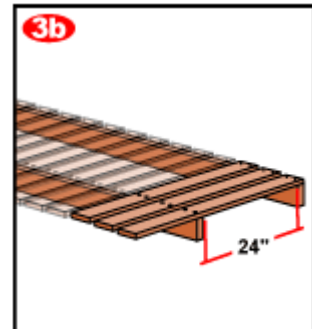
2. b Attach the leg brace flush to the bottom of the legs, using two 16d nails or two 3-1/2" deck screws per joint. Attach the shelf supports 16 and 32 inches from the top of the legs. Repeat these steps for constructing the second potting center leg module.



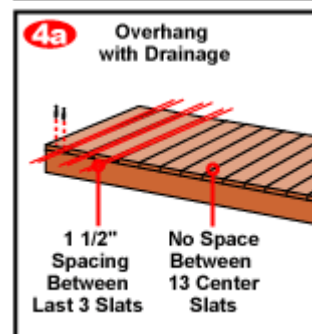
3. a The next step in constructing the potting center is building the roof. The six foot-long roof calls for fourteen 36-inch 1 x 4 slats spaced approximately 1 and one-half inches apart and with a front overhang of 12 inches. This spacing will give plants moderate sun protection. Vary the slat quantity and spacing to suit your shading requirements.



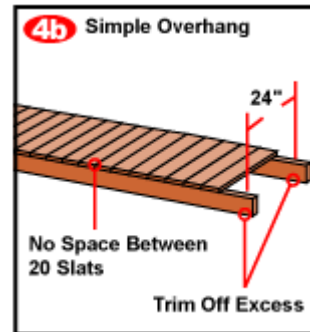
3. b Lay out the 2 x 4 roof supports on edge and spaced 24" apart. Attach the end slats first, flush to the rear support and overhanging the front. Use two 6d nails or two 2-inch deck screws per joint. Position the rest of the roof slats with equal spaces, approximately 1-1/2" before attaching them.



4. a The next section of the potting center is the middle shelf. There are three options in designing and building the middle shelf. An overhang with drainage, a simple overhang, or no overhang. The first step in building the overhang with drainage is to lay out thirteen 1 x 4 slats on six-foot long frames in the center without spaces and then space three slats at each end 1-1/4" to 1-1/2" apart. Attach them with 6d nails or 2" deck screws.



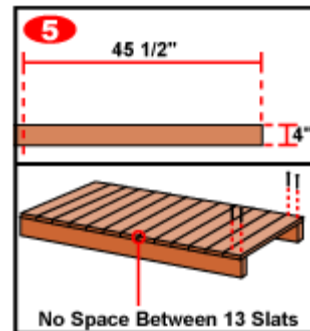
4. b For the simple overhang the middle shelf is gap-free and overhangs the potting center legs by about 11" at each side. Trim twenty 1 x 4 slats to 24". Begin assembly by laying two 6' - 2 x 4 middle shelf frames on edge, spaced to 24". Starting at one end, attach all the slats without spaces with nails or screws. Trim the shelf frames to this length.



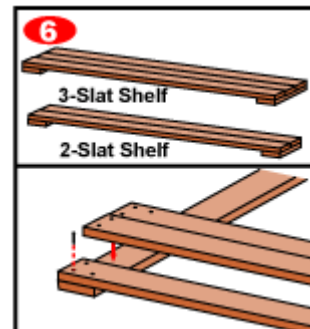
4. c Using no overhang can be used for a more compact potting center. Construct the middle shelf using just 13 slats with no spacing and no overhang.



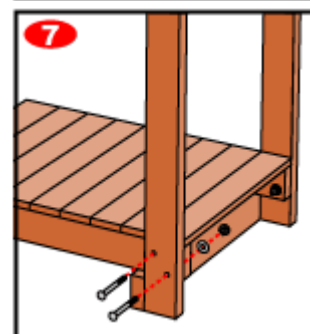
5. The next step in construction is the bottom shelf. Trim two 2 x 4 shelf frames to 45-1/2" or to match the length of 13 slats nailed side by side with no spaces. Trim thirteen 1 x 4 slats to 24". Drive two 6d nails or 2" deck screws through the slat ends to attach them to the shelf frames. Pre-drill nail holes.



6. Next you will build the upper shelves. Use two or three slats per shelf for the upper shelves, trimmed to 45-1/2". Trim 1 x 4 cross braces to match the width of the slats and drive 3d nails or 1-1/4" screws through 1 x 4 slats into the cross braces. These braces are used to secure the shelving to the structure.



7. You are now ready to assemble potting center. Join the potting center pieces together by drilling two 3/8" bolt holes through the legs and frames at each junction, starting with the bottom shelf, which rests on the bottom leg brace. This job will be easier if you temporarily clamp the frames or the roof supports into position while drilling. Measure carefully and check for square. Use non-corrosive 3/8" by 3-1/2" carriage bolts with washers and nuts.



8. The Potting Center is now ready to be finished. Lightly sand all cut ends. Apply a clear water repellent or stain containing a mildewcide and UV protector to extend the life of your project.



SHOP LIST

Materials List

- (4) Legs 2" x 4" x 84"
- (6) Leg Braces 2" x 4" x 27-3/8"
- (2) Roof Support 2" x 4" x 72"
- (14) Roof Slats 1" x 4" x 36"
- (13 to 20) Middle Shelf Slats 1" x 4" x 24"
- (2) Middle Shelf Frames 2" x 4" x 45-1/2" - 72"
- (13) Bottom Shelf Slats 1" x 4" x 24"
- (2) Bottom Shelf Frames 2" x 4" x 45-1/2"
- (4 to 6) Upper Shelf Slats 1" x 4" x 45-1/2"
- (4) Upper Shelf Cross Braces 1" x 4" x 7" to 10-1/2"
- (24 sets) 3/8"x 3-1/2" length Carriage Bolts, Washer, Nuts
- (1 pound each) Nails 3d, 6d, 16d
- (1 pound each) Deck Screws 1-1/4" and 2" lengths

Tools List

- Tape measure
- Carpenter's square
- Hammer
- Twist drill bits
- Adjustable wrench or 3/8 inch socket
- C-clamps
- Skilsaw
- Electric drill with Phillips head drill bit (for driving deck screws)